

Zeager Bros. Inc.
Quality, Integrity, Innovation



WOODCARPET® Engineered Wood Fiber For Equine Footing



WoodCarpet®

WOOD FIBER

ZEAGER BROS. INC.

4000 E. HARRISBURG PIKE
MIDDLETOWN, PA 17057

Phone: 1-800-346-8524
Fax: 717-944-7681
Email: sales@zeager.com



PA Office: 1-800-346-8524

WOODCARPET.COM

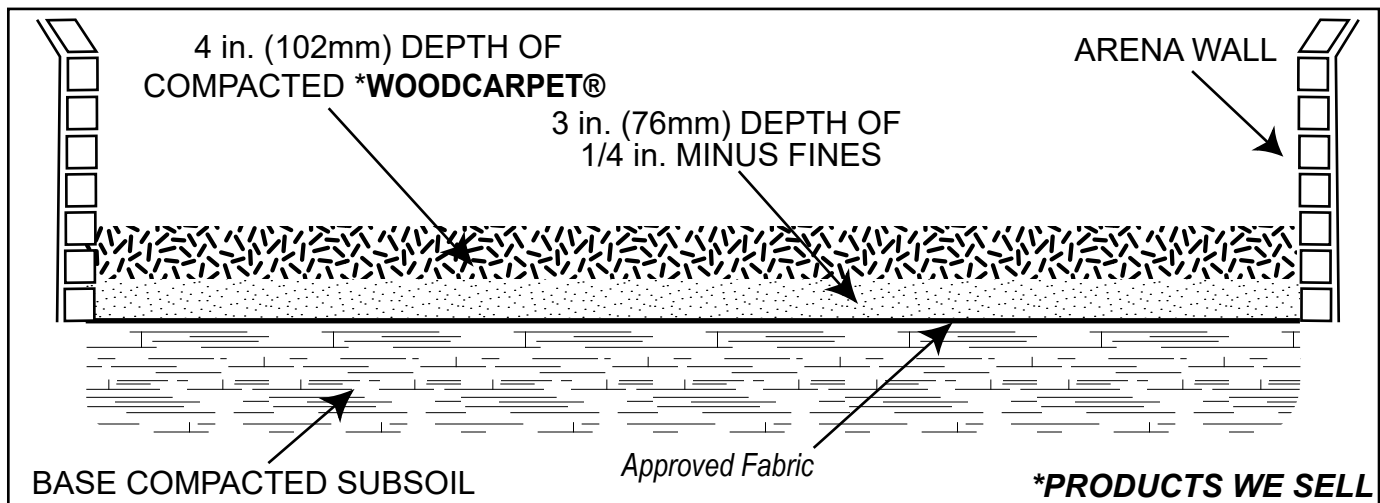
ZEAGER JOB SPEC 21

APPLICATION: INDOOR ARENA- Indoor arenas normally range from 60 x 120 to 120 x 240 ft.

PRODUCT FUNCTIONS:

WOODCARPET®: Loose fill engineered wood fiber footing that when installed and maintained properly, provides a consistent, resilient and stable surface.

Fabric: Non-woven polypropylene fabric, needle punched, UV treated. Used as a barrier to keep the subsoil and gravel from mixing together. See additional pages for specifications.



RECOMMENDED INSTALLATION PROCEDURE:

1. Excavate as necessary and compact the subsoil.
2. Install a layer of fabric, overlap seam 10 in.
3. Spread 1/4 in. minus fines to a depth of 3 in.
4. Level this out, wet down and pack (using a roller or tamper).
5. Spread WOODCARPET® over the fines to a depth of 4 in. compacted.
6. Drag, soak and mechanically compact the WOODCARPET® to increase compaction and firmness.

MISCELLANEOUS INFORMATION

1. A constant balance of moisture is important. Drainage is necessary to remove excess moisture. The proper amount of moisture will cause WOODCARPET® to knit together and compact. If WOODCARPET® becomes too dry, wet it down, drag it and compact it.
2. WOODCARPET® can become too tight for gymkhana sports (e.g. barrel racing, reining, pole bending, jumping, etc.). Personal experience will determine your preference for conditioning the surface to the type of riding in which you are involved.



PA Office: 1-800-346-8524

WOODCARPET.COM

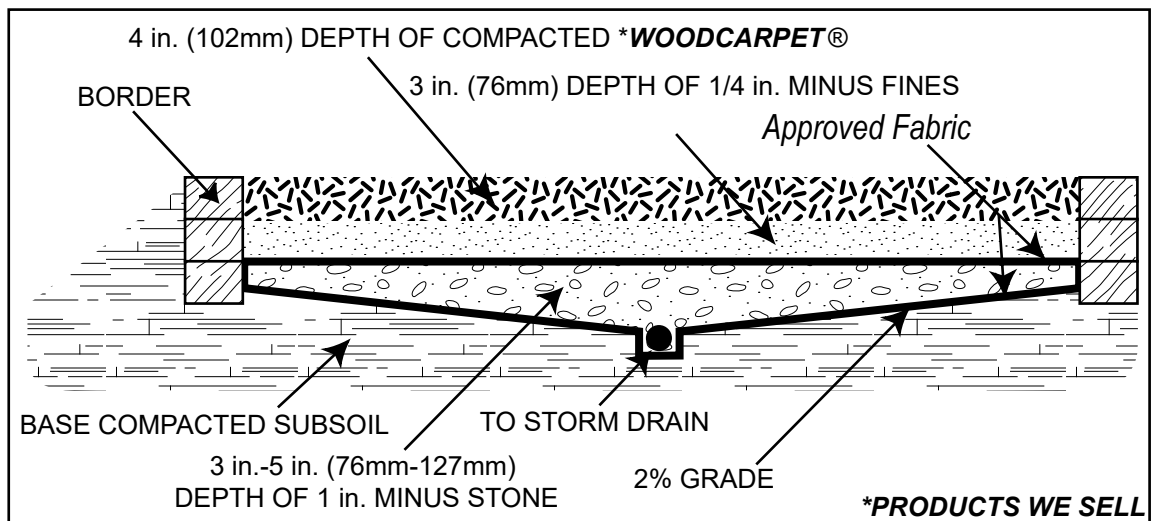
ZEAGER JOB SPEC 22

APPLICATION: OUTDOOR ARENAS - Drainage is the key to a long-lasting outdoor arena.

PRODUCT FUNCTIONS:

WOODCARPET®: Loose fill engineered wood fiber footing that when installed and maintained properly, provides a consistent, resilient and stable surface.

Fabric: Non-woven polypropylene fabric, needle punched, UV-Treated. Used as a barrier to keep the subsoil and gravel from mixing together. See additional pages for specifications.



RECOMMENDED INSTALLATION PROCEDURE:

1. Grade the subsoil toward the center at a 2% grade so that it will drain.
2. Thoroughly compact subsoil.
3. Install a layer of approved fabric on the subsoil, overlap seam 10 in.
4. Install 6 in. drainage pipe covered with fabric in the low point of the subsoil trench lined with stone (to take runoff to a storm drain or catch basin).
5. Spread 1 in. minus stone over the fabric to a depth of 3-5 in.
6. Install a second layer of fabric over the 1 in. minus stone, overlap seam 10 in.
7. Spread 1/4 in. minus fines over the fabric to a depth of 3 in. Wet and mechanically compact.
8. Spread WOODCARPET® to a depth of 6 in. and mechanically compact to 4" thickness.

MISCELLANEOUS INFORMATION

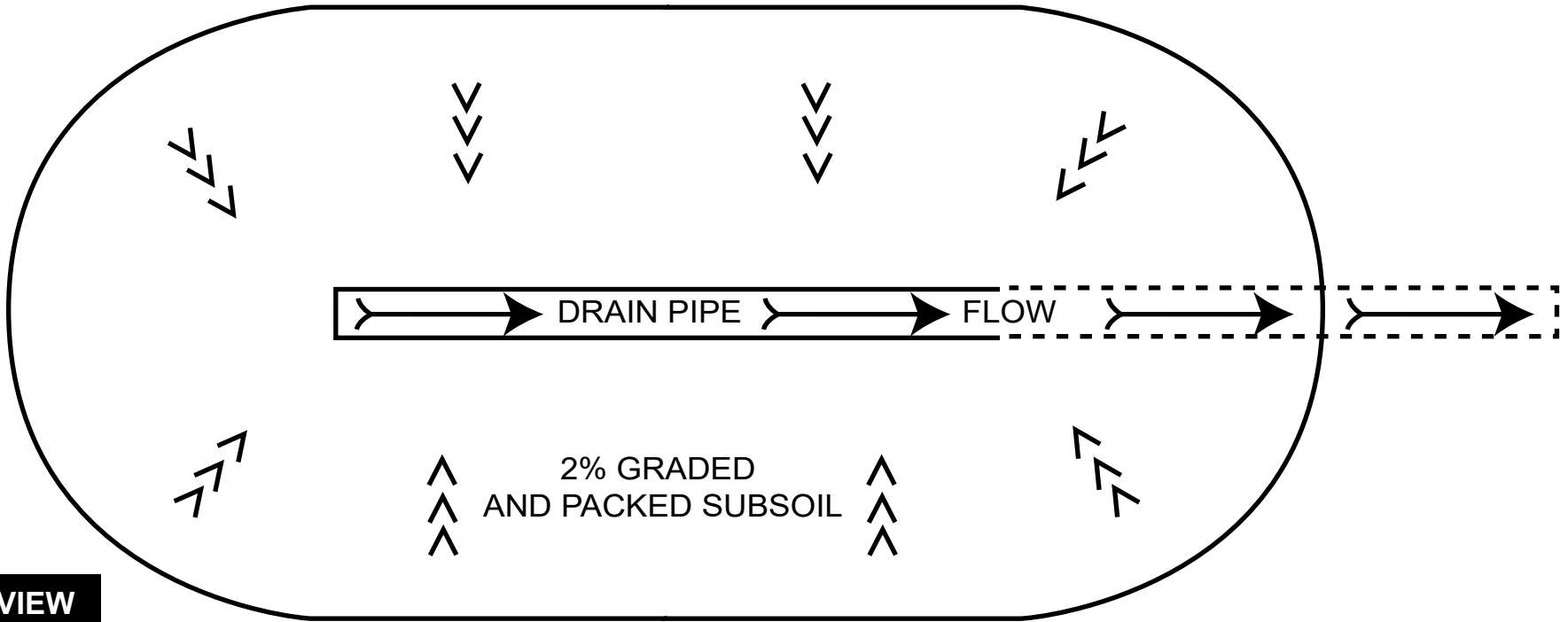
1. A consistent balance of moisture is important. Drainage is necessary to remove excess moisture. The proper amount of moisture will cause WOODCARPET® to knit together and compact. If WOODCARPET® becomes too dry, wet it down, drag it and roll it.
2. WOODCARPET® can become too tight for gymkhana sports (e.g. barrel racing, reining, pole bending, jumping, etc.). Personal experience will determine your preference for conditioning the surface to the type of riding in which you are involved.



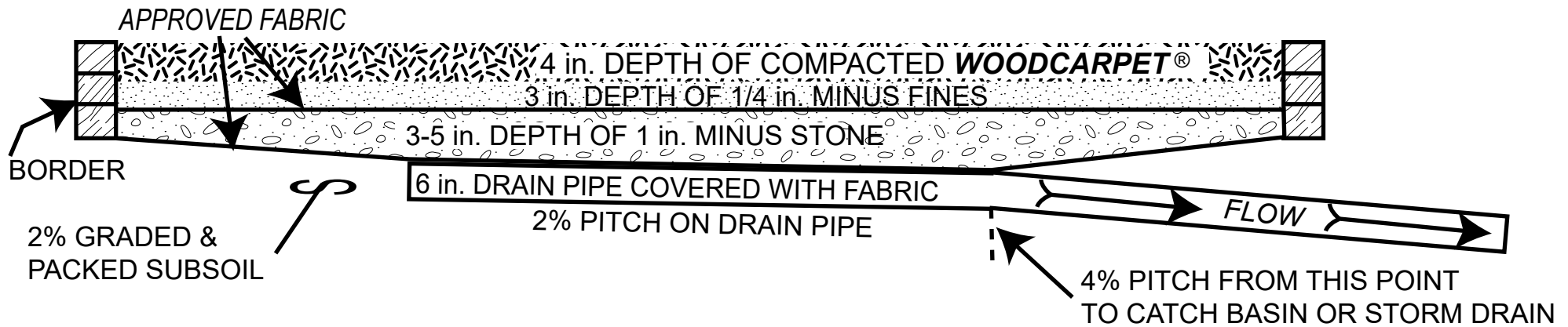
PA Office: 1-800-346-8524
WOODCARPET.COM

TOP-VIEW

**OUTDOOR ARENA DRAIN FIELD
TO BE USED WITH ZEAGER JOB SPEC 22**



SIDE-VIEW





PA Office: 1-800-346-8524

WOODCARPET.COM

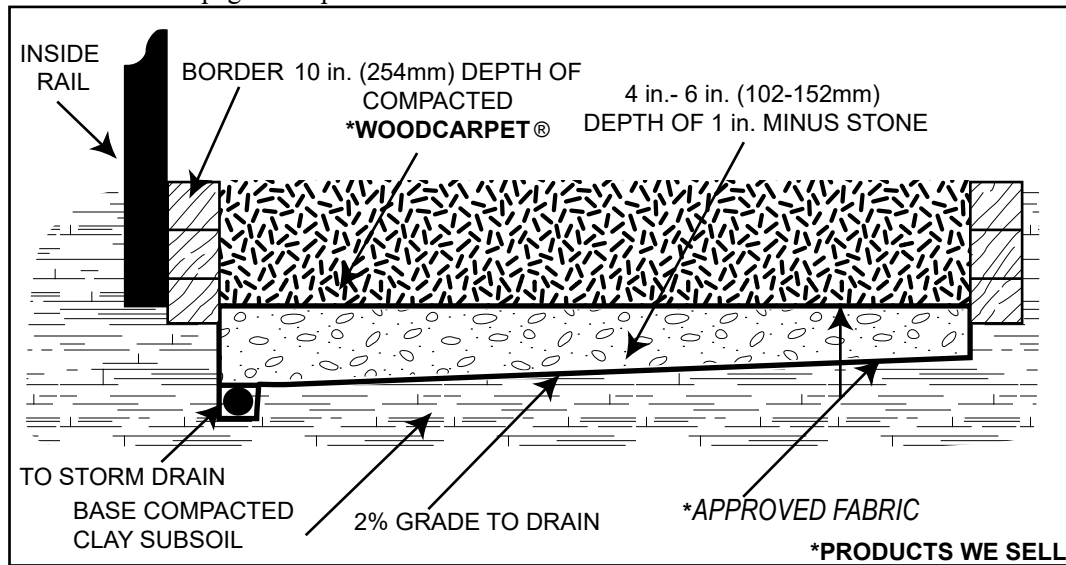
ZEAGER JOB SPEC 23

APPLICATION: TRAINING TRACK. A well drained base is the key to a functional training track.

PRODUCT FUNCTIONS:

WOODCARPET®: Loose fill engineered wood fiber footing that when installed and maintained properly, provides a consistent, resilient and stable surface.

FABRIC: Non-woven polypropylene fabric, needle punched, UV-Treated. Used as a barrier to keep the subsoil and gravel from mixing together. See additional pages for specifications.



RECOMMENDED INSTALLATION PROCEDURE:

*It is recommended that a soil or highway/road engineer design the layout and the drainage of your WOODCARPET® training track.

1. Grade the subsoil toward the inside rail at a 2% grade so that it will drain. A clay base is best since it will prevent the absorption of too much water that would lead to a collapse on the elevated portion of the track.
2. Thoroughly compact the subsoil.
3. Lateral drainage ditches should be installed according to the engineer's recommendations. (see attachment)
4. Install a layer of FABRIC, overlap seams 10 in.
5. Install drainage pipes where indicated and cover with FABRIC. Pipes should ultimately lead runoff to a storm drain or catch basin.
6. Spread and compact 1 in. minus stone to a depth of 6 in.
7. Install a second layer of FABRIC, overlap seams 10 in.
8. Spread WOODCARPET® to a depth of ten inches compacted. For a consistent surface, spread WOODCARPET® in two lifts, leveling, wetting, and mechanically compacting each lift until desired thickness is achieved.

WOODCARPET® takes two to four weeks to "break-in", depending upon moisture content and usage. Consistent moisture will aid the break-in process. For a firmer surface, drag with chain link fence to level, wet down and compact with a roller.

MISCELLANEOUS INFORMATION

1. A consistent balance of moisture is important. Drainage is necessary to remove excess moisture. The proper amount of moisture will cause WOODCARPET® to knit together and compact. If WOODCARPET® becomes too dry, wet it down, drag it and compact.

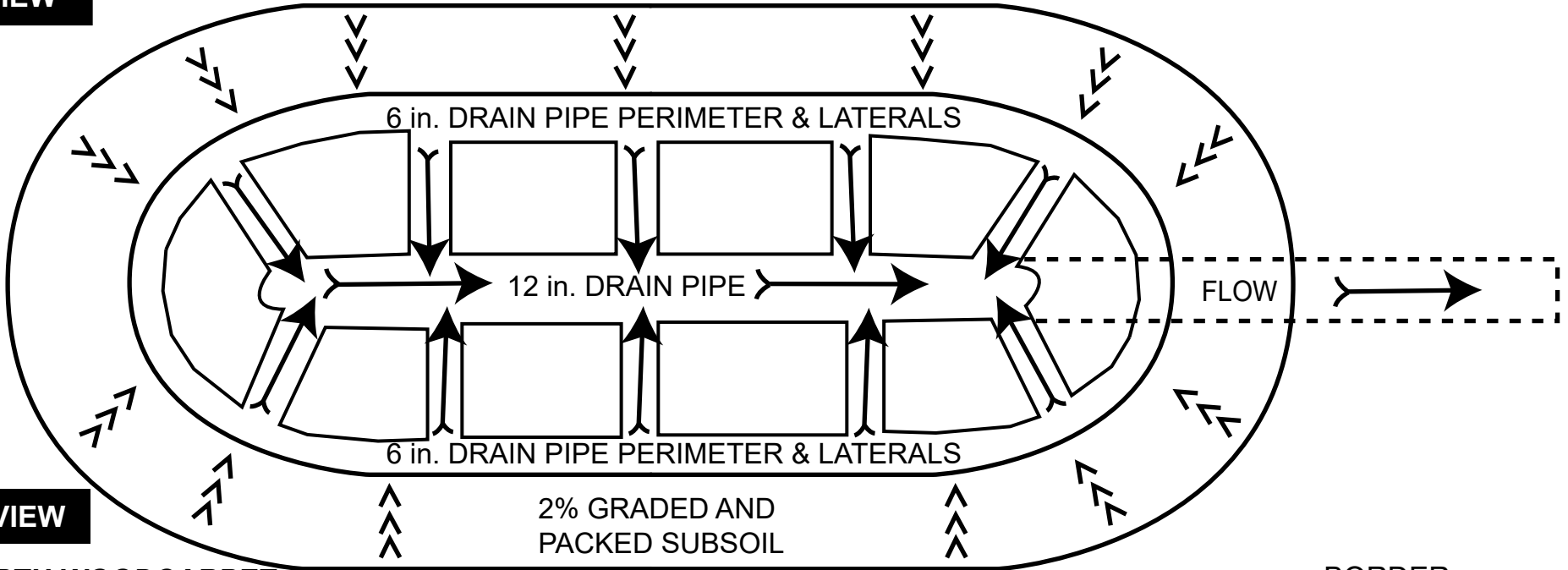


TRAINING TRACK DRAIN FIELD TO BE USED WITH ZEAGER JOB SPEC 23

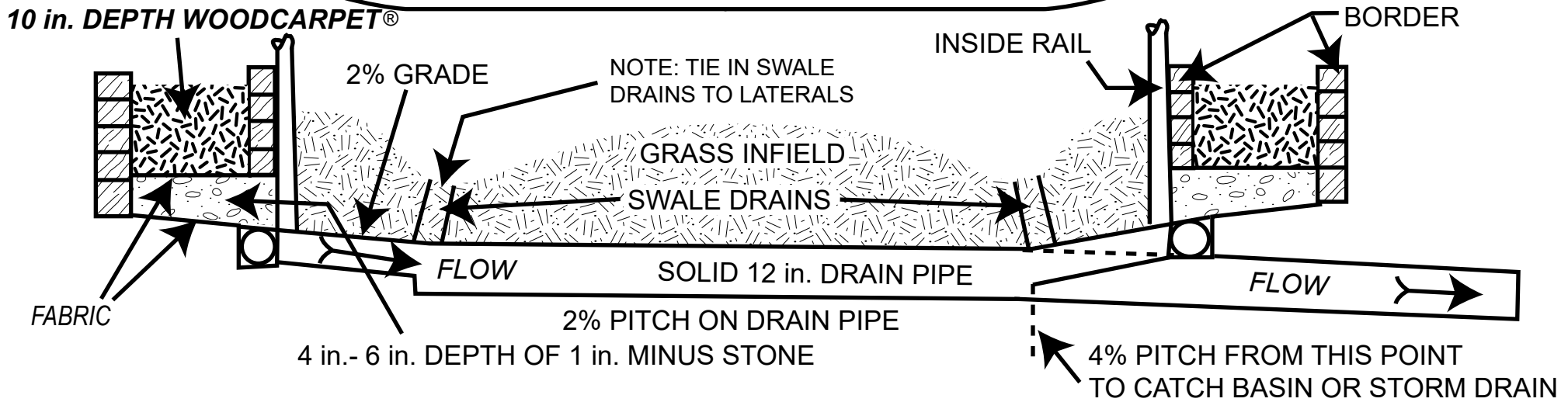
PA Office: 1-800-346-8524
WOODCARPET.COM

IT IS RECOMMENDED THAT A SOIL OR HIGHWAY/ROAD ENGINEER DESIGN THE LAYOUT AND THE DRAINAGE OF YOUR WOODCARPET® TRAINING TRACK.

TOP-VIEW



SIDE-VIEW





PA Office: 1-800-346-8524

WOODCARPET.COM

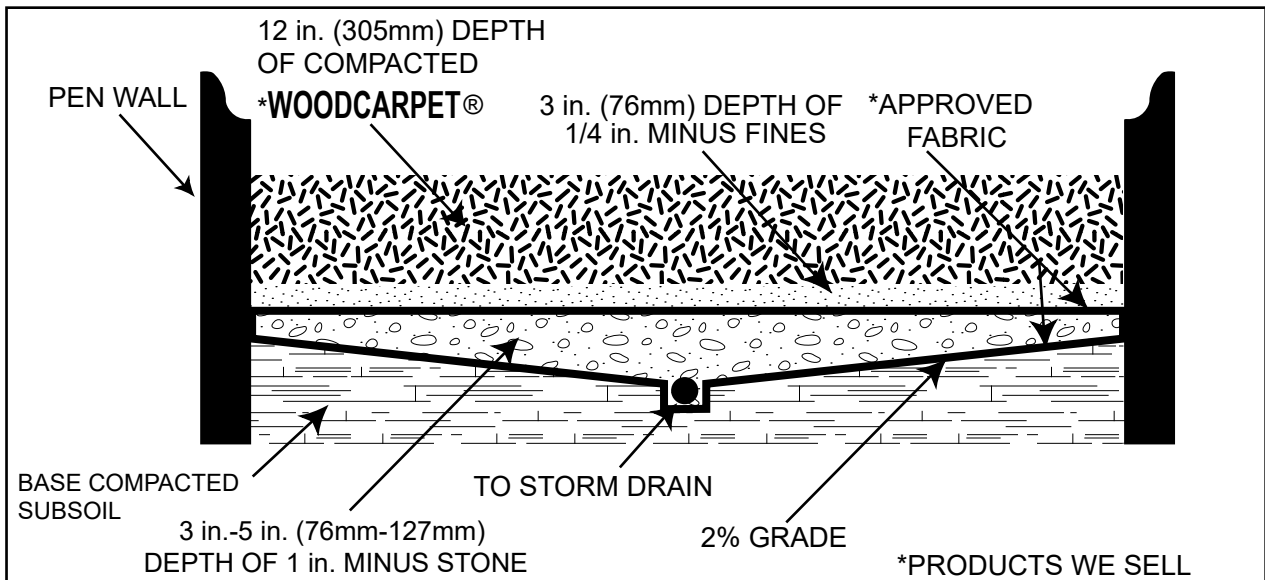
ZEAGER JOB SPEC 24

APPLICATION: ROUND PEN OR LUNGING PEN - used for exercising the horse.

PRODUCT FUNCTIONS:

WOODCARPET®: Loose fill engineered wood fiber surfacing that when installed and maintained properly, provides a consistent, resilient and stable surface.

FABRIC: Non-woven polypropylene fabric, needle punched, UV-Treated. Used as a barrier to keep the subsoil and gravel from mixing together.



RECOMMENDED INSTALLATION PROCEDURE:

1. Grade the subsoil towards the center at a 2% grade so that it will drain.
2. Thoroughly compact the subsoil.
3. Install a layer of FABRIC, overlap seam 10 in.
4. Install a 6 in. solid drainage pipe in the low point of the subsoil trench lined with stone. From the center of the pen, open an 18 in. section of the pipe and cover with FABRIC to create a collection box.
5. Spread 1 in. minus stone over the FABRIC to a depth of 3 in. - 5 in.
6. Install a second layer of FABRIC over the drainage stone, overlap seam 10 in.
7. Spread 1/4 in. minus fines to a depth of 3 in., wet down and pack using a roller or tamper.
8. Spread WOODCARPET® to a depth of twelve inches compacted.

MISCELLANEOUS INFORMATION

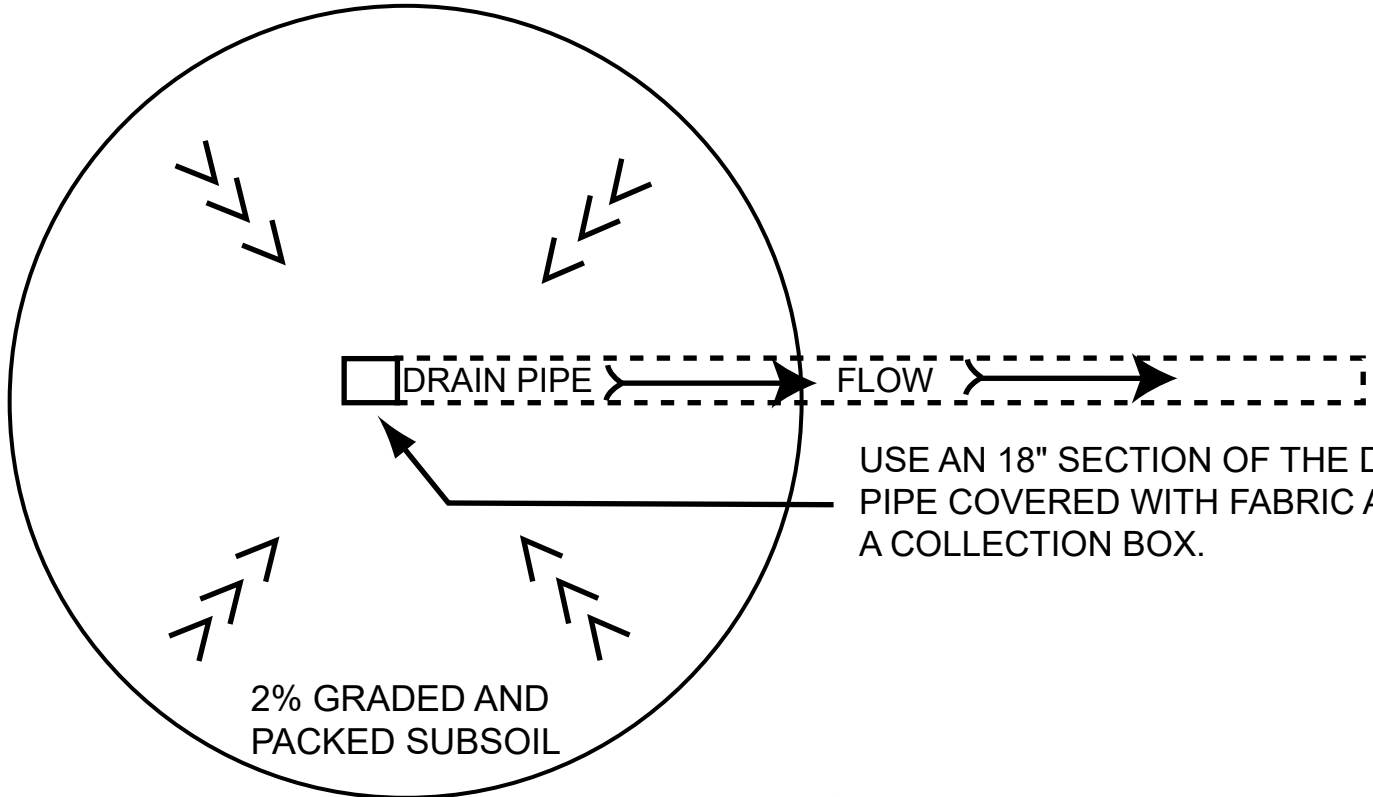
1. A consistent balance of moisture is important. Drainage is necessary to remove excess moisture. The proper amount of moisture will cause WOODCARPET® to knit together and compact. If WOODCARPET® becomes too dry, wet it down, drag it and compact it.
2. Periodic dragging or raking will be necessary to level the WOODCARPET®.



ROUND PEN OR LOUNGING RING DRAIN FIELD TO BE USED WITH ZEAGER JOB SPEC 24

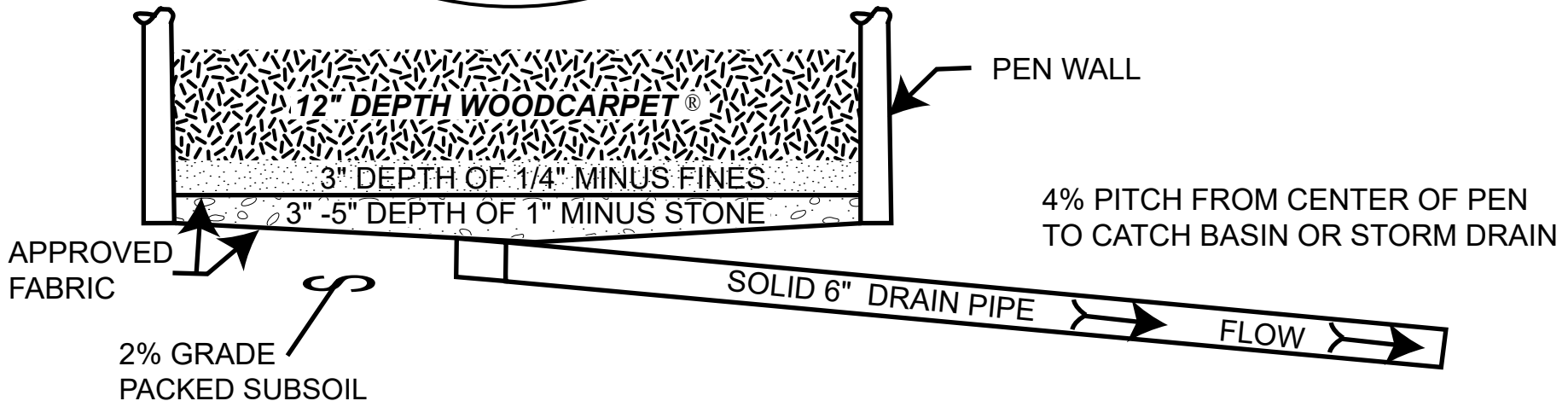
PA Office: 1-800-346-8524
WOODCARPET.COM

TOP-VIEW



USE AN 18" SECTION OF THE DRAIN PIPE COVERED WITH FABRIC AS A COLLECTION BOX.

SIDE-VIEW





PA Office: 1-800-346-8524

WOODCARPET.COM

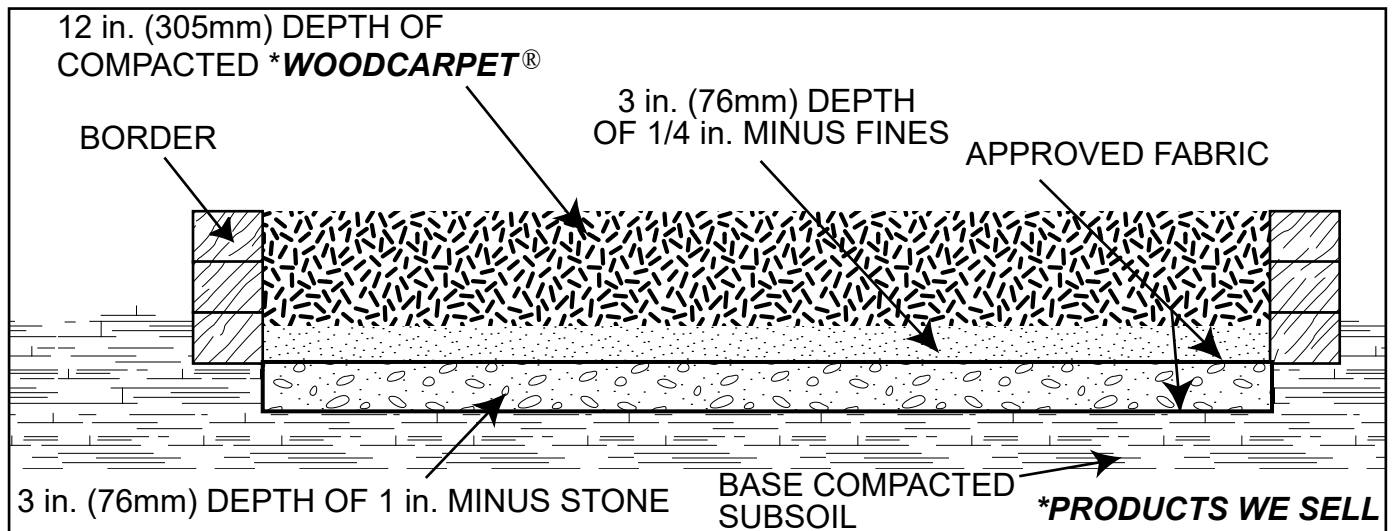
ZEAGER JOB SPEC 25

APPLICATION: EXERCISER - used for regulated exercise of the horse.

PRODUCT FUNCTIONS:

WOODCARPET®: Loose fill engineered wood fiber footing that when installed and maintained properly, provides a consistent, resilient and stable surface.

FABRIC: Non-woven polypropylene fabric, needle punched, UV-Treated. Used as a barrier to keep the subsoil and gravel from mixing together.



RECOMMENDED INSTALLATION PROCEDURE:

1. Excavate as necessary. Compact the subsoil.
2. Install a layer of FABRIC, overlap seam 10 in.
3. Spread 1 in. minus stone over the FABRIC to a depth of 3 in.
4. Install a second layer of FABRIC over the drainage stone, overlap seam 10 in.
5. Spread 1/4 in. minus fines to a depth of 3 in., wet down and pack using a roller or tamper.
6. Spread WOODCARPET® to a depth of 12 in. compacted.

MISCELLANEOUS INFORMATION

1. A consistent balance of moisture is important. Drainage is necessary to remove excess moisture. The proper amount of moisture will cause WOODCARPET® to knit together and compact. If WOODCARPET® becomes too dry, wet it down, drag it and compact it.
2. Periodic raking or dragging & compacting will be necessary to level the WOODCARPET®.



PA Office: 1-800-346-8524

WOODCARPET.COM

ZEAGER JOB SPEC 26

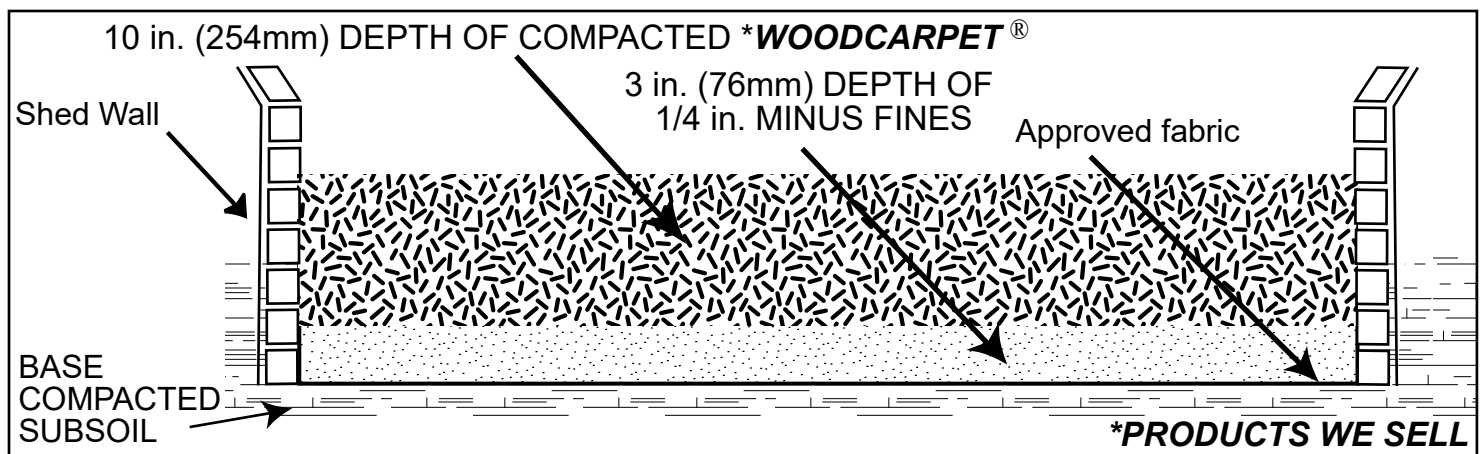
APPLICATION: BREEDING SHED - to provide a controlled environment and safety surfacing for the purpose of breeding.

PRODUCT FUNCTIONS:

WOODCARPET®: Loose fill engineered wood fiber footing that when installed and maintained properly, provides a consistent, resilient and stable surface.

Approved fabric: non-woven, needle punched, UV treated fabric.

Used as a barrier to keep the subsoil and gravel from mixing together.



RECOMMENDED INSTALLATION PROCEDURE:

1. Excavate as necessary. Compact the subsoil.
2. Install a layer of approved fabric, overlap seam 10 in.
3. Spread 1/4 in. minus fines to a depth of 3 in., wet down and pack using a roller or tamper.
4. Spread WOODCARPET® to a depth of 10 in. compacted.

Note: Installation of the 1/4 in. minus fines (#3) is optional. If used, it will provide a firmer base and minimal drainage.

MISCELLANEOUS INFORMATION

1. A consistent balance of moisture is important. Drainage is necessary to remove excess moisture. The proper amount of moisture will cause WOODCARPET® to knit together and compact. If WOODCARPET® becomes too dry, wet it down, drag it and roll it.



PA Office: 1-800-346-8524

WOODCARPET.COM

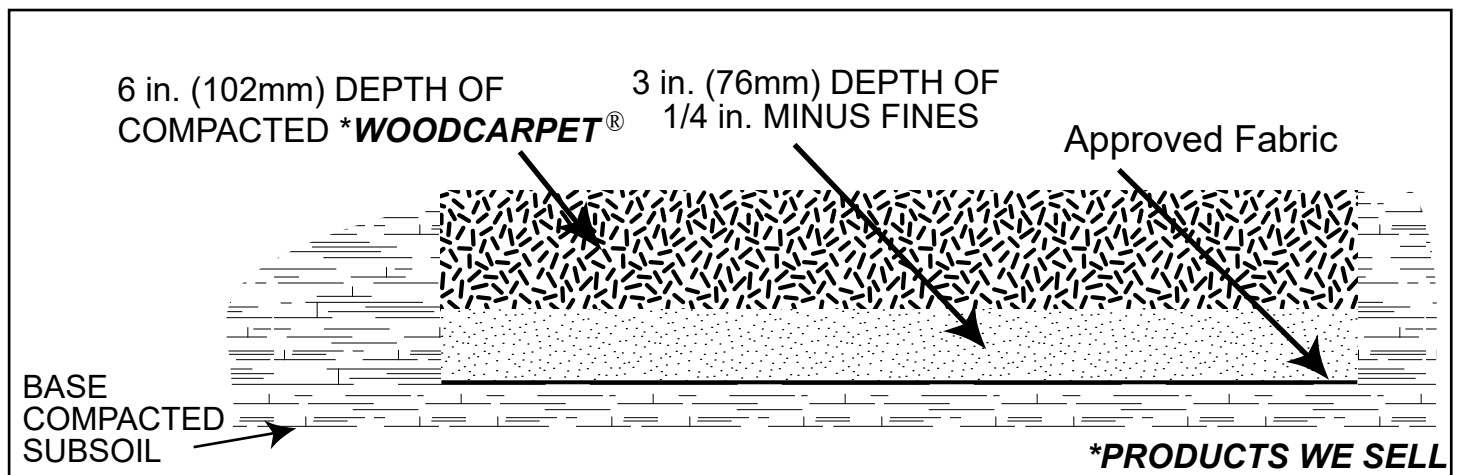
ZEAGER JOB SPEC 27

APPLICATION: WALKWAYS AND PATHWAYS - used to provide a clean and resilient trail.

PRODUCT FUNCTIONS:

WOODCARPET®: Loose fill engineered wood fiber footing that when installed and maintained properly, provides a consistent, resilient and stable surface.

Approved Fabric: Non-woven, needle punched, UV treated fabric. Used as a barrier to keep the subsoil and gravel from mixing together.



RECOMMENDED INSTALLATION PROCEDURE:

1. Excavate as necessary. Compact the subsoil.
2. Install a layer of approved fabric, overlap seam 10 in.
3. Spread 1/4 in. minus fines to a depth of 3 in., wet down and pack using a roller or tamper.
4. Spread WOODCARPET® to a depth of 6 in. compacted.

MISCELLANEOUS INFORMATION

1. A consistent balance of moisture is important. Drainage is necessary to remove excess moisture. The proper amount of moisture will cause WOODCARPET® to knit together and compact. If WOODCARPET® becomes too dry, wet it down, drag it and mechanically compact it.

EQUINE Protective Surfacing Product Specification page

Notes:

1. Inadequate drainage may hasten decomposition and decrease impact absorption.
2. If not installing using mechanical compactors and wetting procedure described in the previous installation section the surface will require as much as 15% less Woodcarpet®.
3. Periodic maintenance should include removing debris, raking and topping off by performing steps shown on previous page to maintain desired thickness.

Products:

1. Engineered Wood Fiber Footing: WoodCarpet®
 - a. Composition: WoodCarpet contains 100% pre-consumer recovered wood. Does not contain the following species: Cherry, Black Walnut or Yew.
 - b. Dimensions: Randomly sized wood fibers with approximate max length of 2”.
 - c. Coefficient of Permeability, ASTM D 2434: Greater than 0.6 cm/s.
 - d. Sieve analysis, tramp metals & hazardous metals detection per ASTM F2075– meets criteria.
 - f. Resistance to flammability, ASTM D2859 Standard Test Method for Ignition Characteristics of Finished Textile Floor Covering Materials - meets criteria
2. Fabric: Geotextile Fabric:
 - a. Composition: nonwoven filter fabric of staple fibers that is formed into a random network, needle punched and heat-set for dimensional stability.
 - b. Recycled content: N/A
 - c. Size: Width and lengths vary manufacturer to manufacturer.
 - d. Weight, ASTM D5261 Min. 3.5 ounces per square yard
 - e. Grab Tensile Strength: ASTM D4632 0.45 kN / 57 lbs
 - f. Grab Tensile Elongation “ “ 50%
 - g. CBR Puncture: ASTM D6241 .064kN/ 145 lbs
 - h. UV Resistance: ASTM D4355 70% @500 hrs
 - i. Trapezoidal Tear : ASTM D4533 0.13kN / 29 lbs
 - j. Permittivity ASTM D4491 2.20 sec
 - k. Water Flow Rate: “ “ 6112 lpm/m 150 gpm/ft
 - l. Apparent Opening size ASTM D4751-0300 mm/50 US Std Sieve

MAINTENANCE RECOMMENDATIONS

Daily:

- Remove debris, litter, and foreign material such as stones, branches, etc.

Weekly/Monthly:

- Periodic leveling may be necessary. For training tracks and large areas, a piece of chain link fence with little or no weight on it can be pulled behind a tractor to quickly level the surface. Smaller areas may require raking.
- It may be necessary to periodically compact the WOODCARPET® by watering and using a mechanical compactor after leveling. Applying water will help the WOODCARPET® compact, knit together, and remain in place along with reducing dust.

Seasonally:

- During a dry season it will be necessary to wet the surface of the WOODCARPET® more frequently to keep it pliable and resilient.
- During a rainy season, check the functioning of the drainage system by checking the water flow from an effluent pipe immediately after rain. You may also check for standing water by digging through the WOODCARPET® to the fabric. The water level should be below the fabric within 30 minutes after the rain ceases. A properly functioning drainage system will enhance the life and use of the WOODCARPET®.
- During freezing conditions, WOODCARPET® may lose some resiliency. Adjust use of the surfacing accordingly.

NOTES:

- HORSECARPET® is subject to normal wear and tear and will require "topping off" occasionally, depending on the type of installation and amount of use.
- The above recommendations are based on average climate and use. In a dry or wet climate, or during heavy use, more frequent maintenance may be necessary.
- For more information, contact a Zeager representative.

CONDITIONAL LIMITED WARRANTY

WOODCARPET® EQUINE FOOTING

Zeager warrants its products to be free from defect in materials and workmanship, and to meet our published specifications when received by Zeager's customer.

This warranty is valid only if the product has not been subjected to vandalism, misuse, neglect, or accident; has not been subjected to addition or substitution of material; and has not been modified or altered, by persons other than Zeager or its designees, in any respect which, in the judgment of Zeager, affects the condition or performance of the product. This warranty does not cover fading, weathering, discoloring, biological degradation or normal wear and tear.

Should any failure to conform to this express warranty occur, Zeager shall, upon receipt of written notification of the defect, correct such nonconformity, either by supplying replacement product or by refunding the purchase price by issuing a credit to the customer's account, at Zeager's election and within 60 days of the written notification.

This shall be the purchaser's sole remedy and Zeager will not be responsible for any consequential damage attributed to the defective product. To the extent permitted by law, Zeager shall not be liable for any direct, indirect, special, incidental, or consequential damages which are expressly excluded from this warranty. If Zeager elects to supply replacement product, Zeager shall deliver the replacement product to the site free of charge, but will not be responsible for providing labor or the cost of removal of the defective product and the installation of any replacement product.

This warranty is exclusive and is in lieu of all other warranties, whether express or implied, including but not limited to any warranty of merchantability or fitness for a particular purpose. Further, no representation, oral or written, of any Zeager representative may be substituted for the described exclusive limited warranty. There are no warranties that extend beyond this warranty.

To make claims under the terms of this warranty, the Buyer's written statement of claim, along with a copy of the invoice, and supporting photographs and samples, must be sent to Zeager Bros., Inc., 4000 E. Harrisburg Pike, Middletown, PA. 17057. Supporting documentation must be provided to Zeager within ten (10) days of receipt of product.

1-800-346-8524
FAX 717-944-7681
PA Main office

Woodcarpet.com