

Zeager Bros. Inc.
Quality, Integrity, Innovation



WOODCARPET® Equine Footing



WoodCarpet®

WOOD FIBER

ZEAGER BROS. INC.

4000 E. HARRISBURG PIKE
MIDDLETOWN, PA 17057

Phone: 1-800-346-8524
Fax: 717-944-7681
Email: info@zeager.com



PA Office: 1-800-346-8524

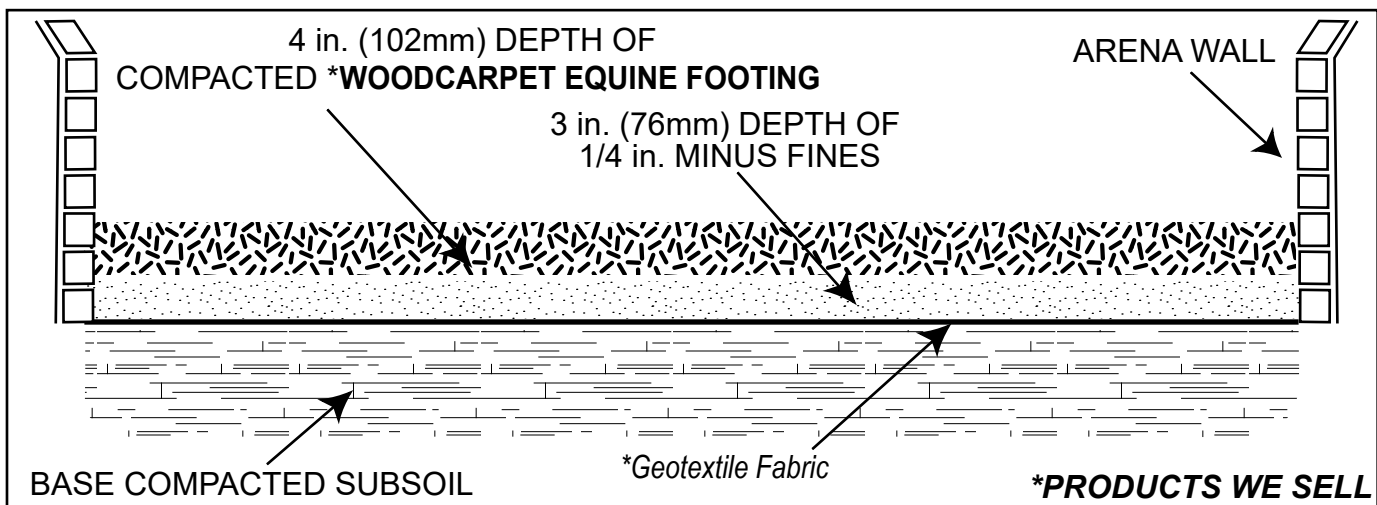
WOODCARPET.COM

ZEAGER JOB SPEC 21

APPLICATION: INDOOR ARENA- Indoor arenas normally range from 60 x 120 to 120 x 240 ft.

PRODUCT FUNCTIONS:

1. WoodCarpet Equine footing that when installed and maintained properly, provides a consistent, resilient and stable surface.
2. Geotextile Fabric used as a barrier to keep the subsoil and gravel from mixing together.



RECOMMENDED INSTALLATION PROCEDURE:

1. Excavate as necessary and compact the subsoil.
2. Install a layer of geotextile fabric, overlap seam 10 in.
3. Spread 1/4 in. minus fines to a depth of 3 in.
4. Level this out, wet down and pack (using a roller or tamper).
5. Spread WoodCarpet Equine Footing over the fines to a depth of 4 in. compacted.
6. Drag, soak and mechanically compact the WoodCarpet Equine Footing to increase compaction and firmness.

MISCELLANEOUS INFORMATION

1. A constant balance of moisture is important. Drainage is necessary to remove excess moisture. The proper amount of moisture will cause WoodCarpet Equine Footing to knit together and compact. If WoodCarpet Equine Footing becomes too dry, wet it down, drap it and compact it.
2. WoodCarpet Equine Footing can become too tight for gymkhana sports (e.g. barrel racing, reining, pole bending, jumping, etc.). Personal experience will determine your preference for conditioning the surface to the type of riding in which you are involved.



PA Office: 1-800-346-8524

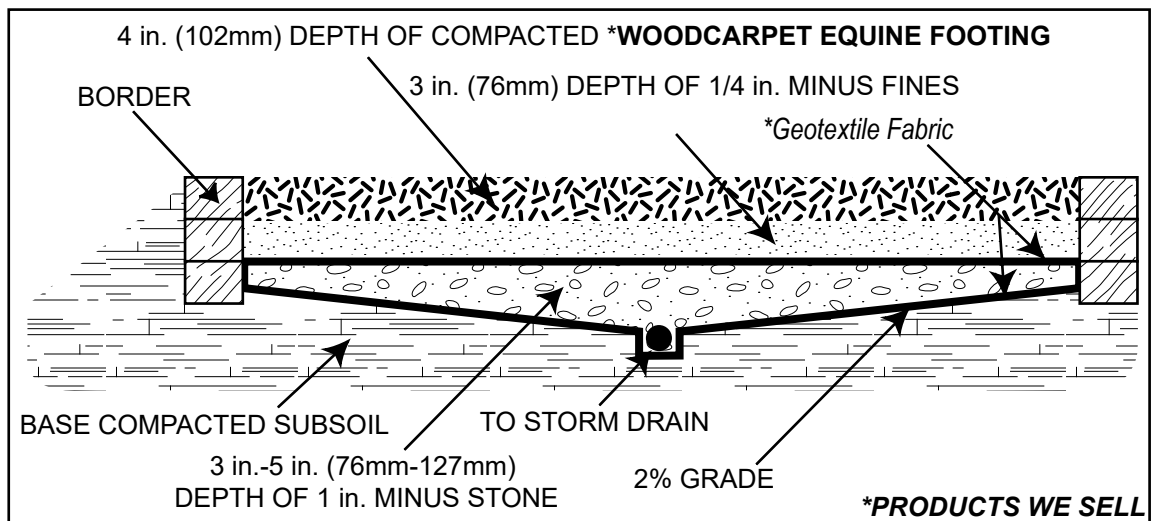
WOODCARPET.COM

ZEAGER JOB SPEC 22

APPLICATION: OUTDOOR ARENAS - Drainage is the key to a long-lasting outdoor arena.

PRODUCT FUNCTIONS:

1. WoodCarpet Equine footing that when installed and maintained properly, provides a consistent, resilient and stable surface.
2. Geotextile Fabric used as a barrier to keep the subsoil and gravel from mixing together.



RECOMMENDED INSTALLATION PROCEDURE:

1. Grade the subsoil toward the center at a 2% grade so that it will drain.
2. Thoroughly compact subsoil.
3. Install a layer of geotextile fabric on the subsoil, overlap seam 10 in.
4. Install 6 in. drainage pipe covered with geotextile fabric in the low point of the subsoil trench lined with stone (to take runoff to a storm drain or catch basin).
5. Spread 1 in. minus stone over the geotextile fabric to a depth of 3-5 in.
6. Install a second layer of geotextile fabric over the 1 in. minus stone, overlap seam 10 in.
7. Spread 1/4 in. minus fines over the geotextile fabric to a depth of 3 in. Wet and mechanically compact.
8. Spread WoodCarpet Equine Footing to a depth of 6 in. and mechanically compact to 4" thickness.

MISCELLANEOUS INFORMATION

1. A consistent balance of moisture is important. Drainage is necessary to remove excess moisture. The proper amount of moisture will cause WoodCarpet Equine Footing to knit together and compact. If WoodCarpet Equine Footing becomes too dry, wet it down, drag it and roll it.
2. WoodCarpet Equine Footing can become too tight for gymkhana sports (e.g. barrel racing, reining, pole bending, jumping, etc.). Personal experience will determine your preference for conditioning the surface to the type of riding in which you are involved.



Lorem ipsum

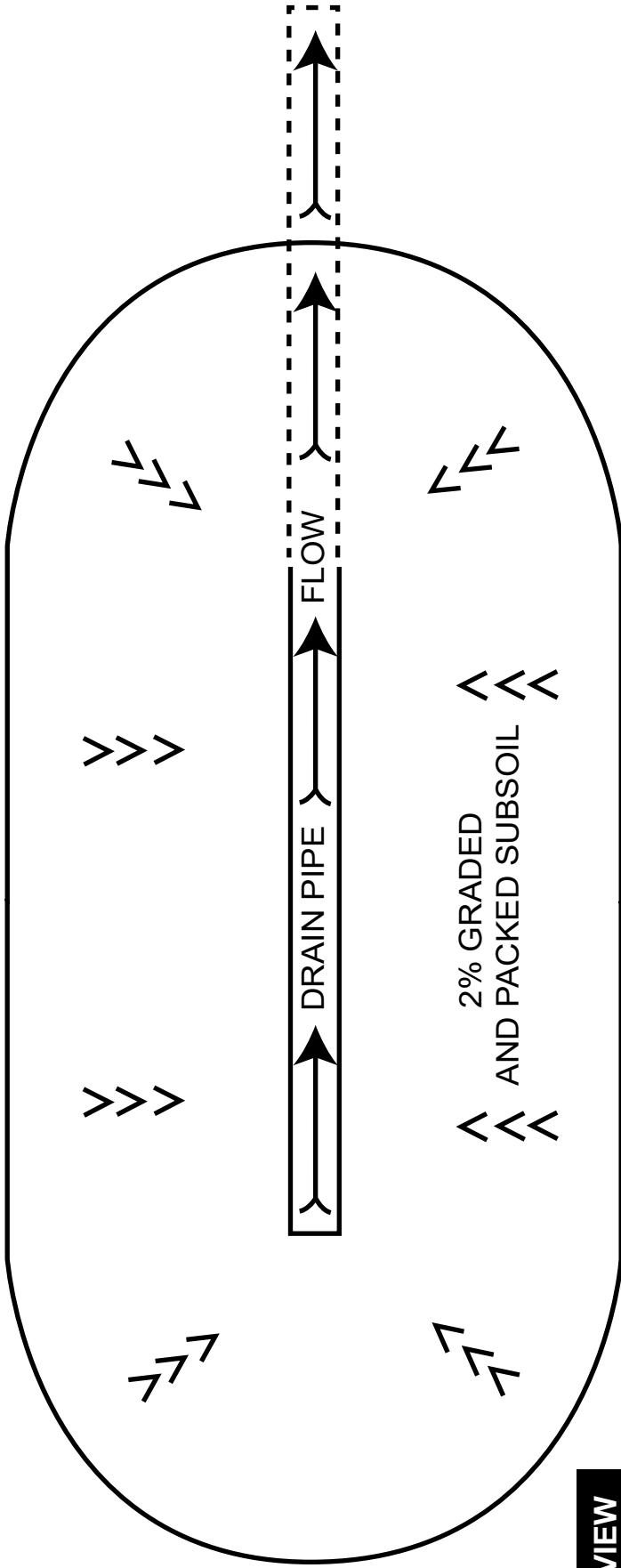
PA Office: 1-800-346-8524

WOODCARPET.COM

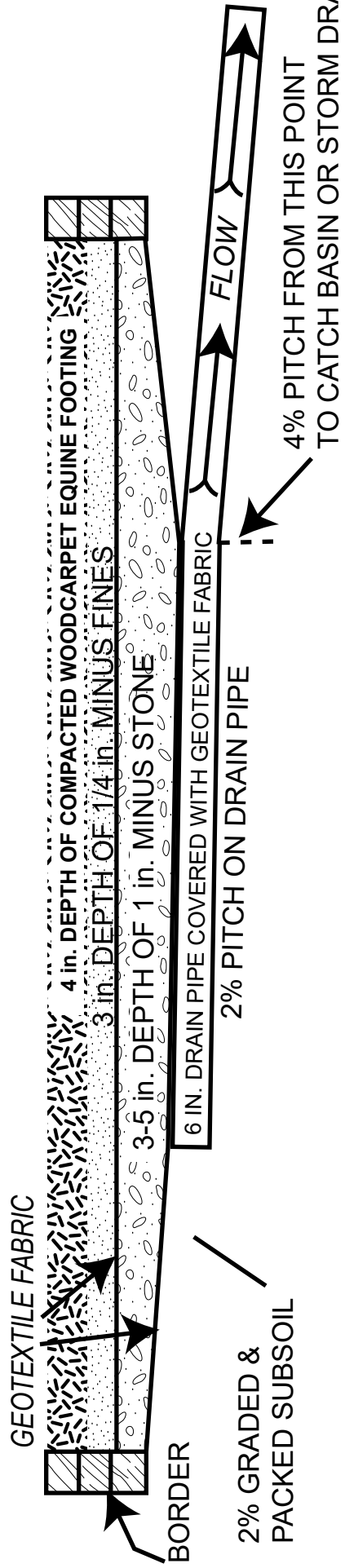
OUTDOOR ARENA DRAIN FIELD

TO BE USED WITH ZEAGER JOB SPEC 22

TOP-VIEW



SIDE-VIEW





PA Office: 1-800-346-8524

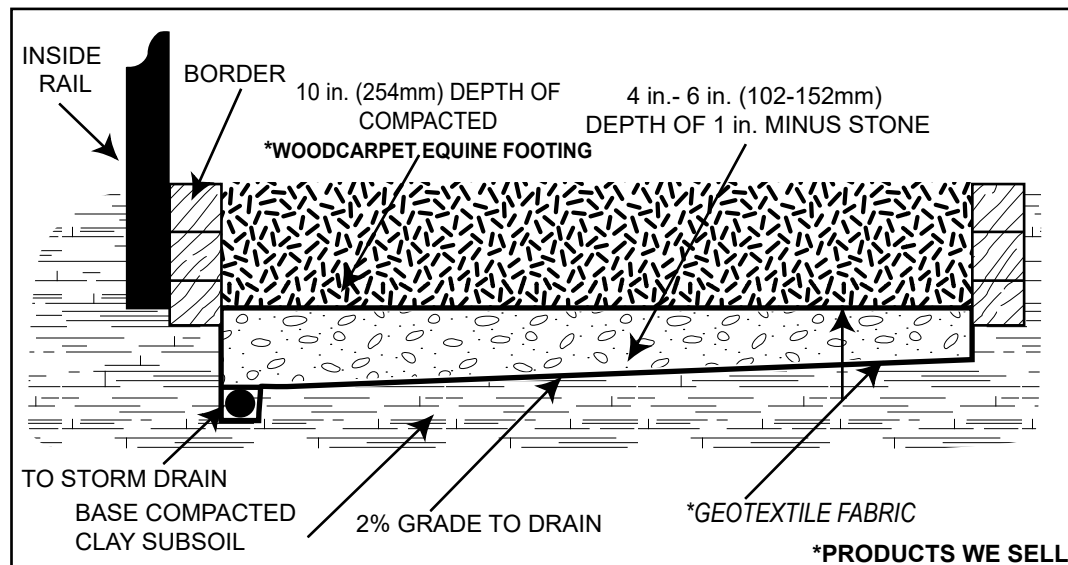
WOODCARPET.COM

ZEAGER JOB SPEC 23

APPLICATION: TRAINING TRACK. A well drained base is the key to a functional training track.

PRODUCT FUNCTIONS:

1. WoodCarpet Equine Footing that when installed and maintained properly, provides a consistent, resilient and stable surface.
2. Geotextile Fabric used as a barrier to keep the subsoil and gravel from mixing together.



RECOMMENDED INSTALLATION PROCEDURE:

*It is recommended that a soil or highway/road engineer design the layout and the drainage of your WoodCarpet Equine Footing training track.

1. Grade the subsoil toward the inside rail at a 2% grade so that it will drain. A clay base is best since it will prevent the absorption of too much water that would lead to a collapse on the elevated portion of the track.
2. Thoroughly compact the subsoil.
3. Lateral drainage ditches should be installed according to the engineer's recommendations. (see attachment)
4. Install a layer of geotextile fabric, overlap seams 10 in.
5. Install drainage pipes where indicated and cover with geotextile fabric. Pipes should ultimately lead runoff to a storm drain or catch basin.
6. Spread and compact 1 in. minus stone to a depth of 6 in.
7. Install a second layer of geotextile fabric, overlap seams 10 in.
8. Spread WoodCarpet Equine Footing to a depth of ten inches compacted. For a consistent surface, spread WoodCarpet Equine Footing in two lifts, leveling, wetting, and mechanically compacting each lift until desired thickness is achieved.

WoodCarpet Equine Footing takes two to four weeks to "break-in", depending upon moisture content and usage. Consistent moisture will aid the break-in process. For a firmer surface, drag with chain link fence to level, wet down and compact with a roller.

MISCELLANEOUS INFORMATION

1. A consistent balance of moisture is important. Drainage is necessary to remove excess moisture. The proper amount of moisture will cause WoodCarpet Equine Footing to knit together and compact. If WoodCarpet Equine Footing becomes too dry, wet it down, drag it and compact.



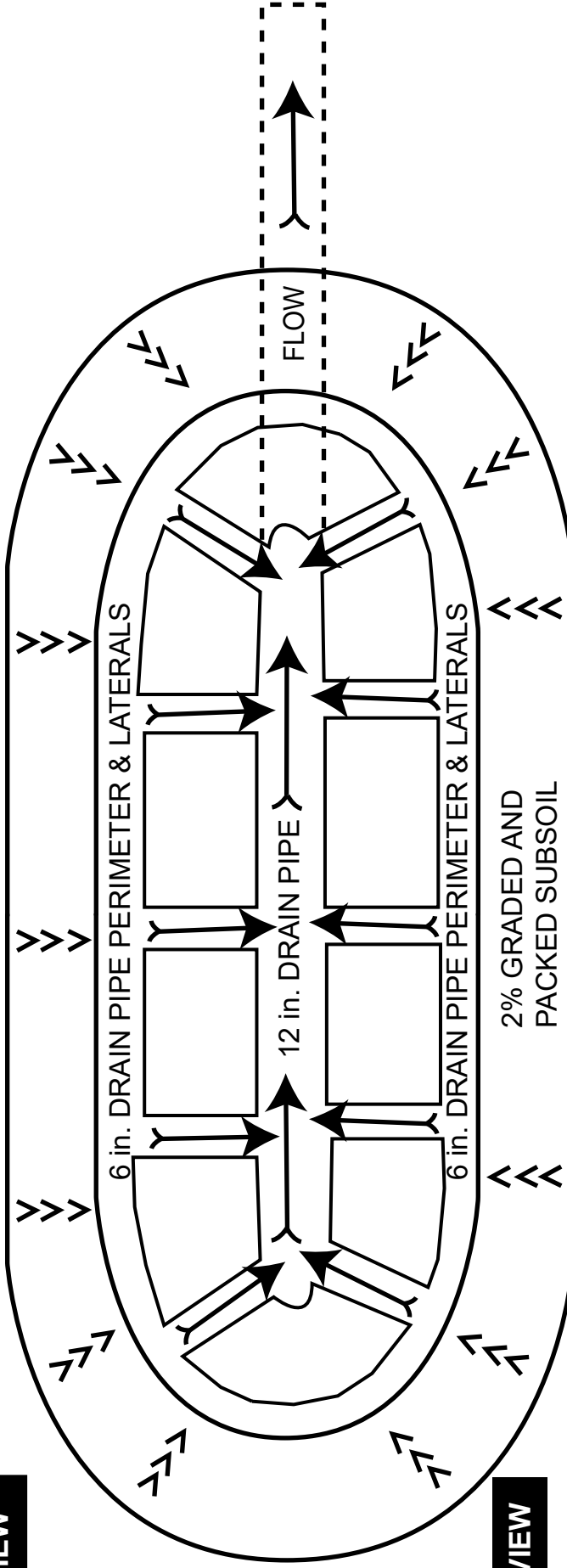
TRAINING TRACK DRAIN FIELD TO BE USED WITH ZEAGER JOB SPEC 23

PA Office: 1-800-346-8524

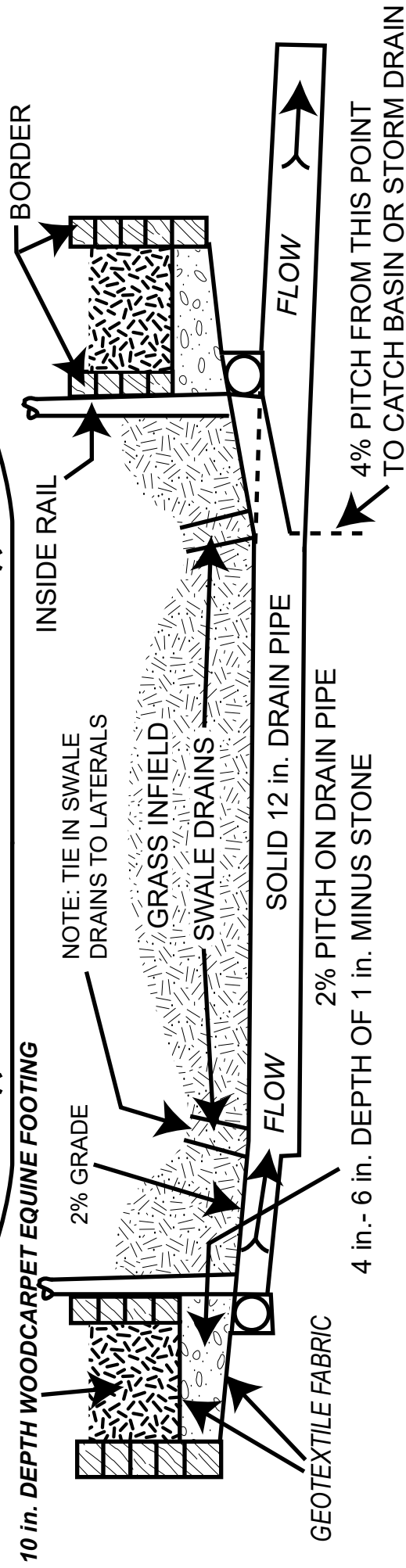
WOODCARPET.COM

IT IS RECOMMENDED THAT A SOIL OR HIGHWAY/ROAD ENGINEER DESIGN THE LAYOUT AND THE DRAINAGE OF YOUR TRAINING TRACK.

TOP-VIEW



SIDE-VIEW





PA Office: 1-800-346-8524

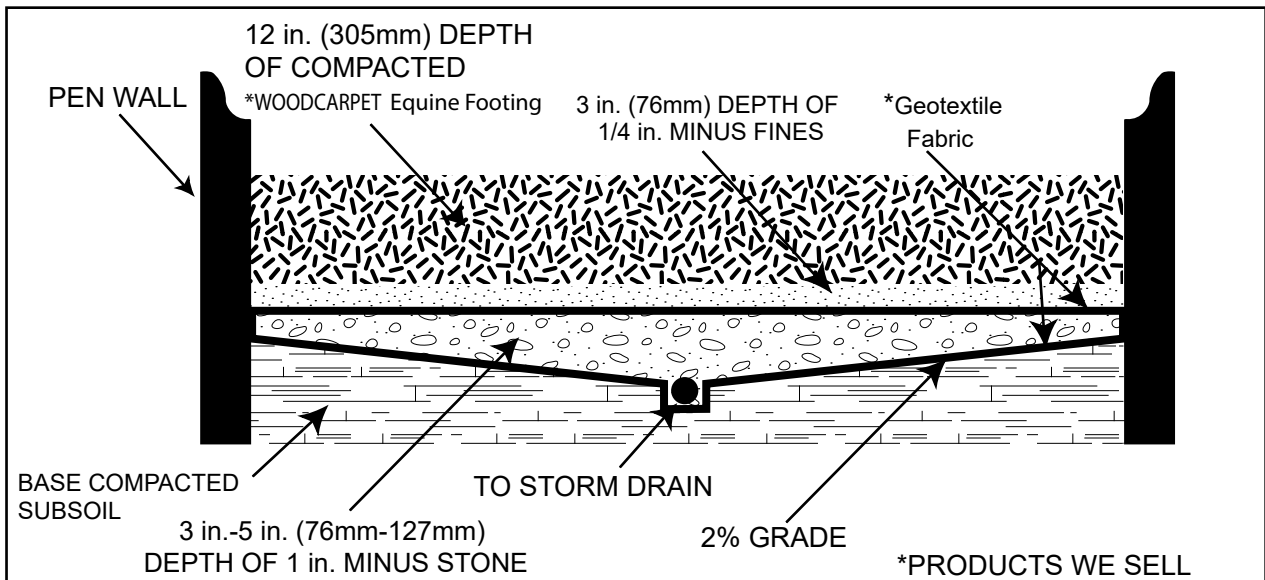
WOODCARPET.COM

ZEAGER JOB SPEC 24

APPLICATION: ROUND PEN OR LUNGING RING - used for exercising the horse.

PRODUCT FUNCTIONS:

1. WoodCarpet Equine Footing that when installed and maintained properly, provides a consistent, resilient and stable surface.
2. Geotextile Fabric used as a barrier to keep the subsoil and gravel from mixing together.



RECOMMENDED INSTALLATION PROCEDURE:

1. Grade the subsoil towards the center at a 2% grade so that it will drain.
2. Thoroughly compact the subsoil.
3. Install a layer of geotextile fabric, overlap seam 10 in.
4. Install a 6 in. solid drainage pipe in the low point of the subsoil trench lined with stone. From the center of the pen, open an 18 in. section of the pipe and cover with geotextile fabric to create a collection box.
5. Spread 1 in. minus stone over the geotextile fabric to a depth of 3 in. - 5 in.
6. Install a second layer of geotextile fabric over the drainage stone, overlap seam 10 in.
7. Spread 1/4 in. minus fines to a depth of 3 in., wet down and pack using a roller or tamper.
8. Spread Woodcarpet Equine Footing to a depth of twelve inches compacted.

MISCELLANEOUS INFORMATION

1. A consistent balance of moisture is important. Drainage is necessary to remove excess moisture. The proper amount of moisture will cause WoodCarpet Equine Footing to knit together and compact. If WoodCarpet Equine Footing becomes too dry, wet it down, drag it and compact it.
2. Periodic dragging or raking will be necessary to level the WoodCarpet Equine Footing.

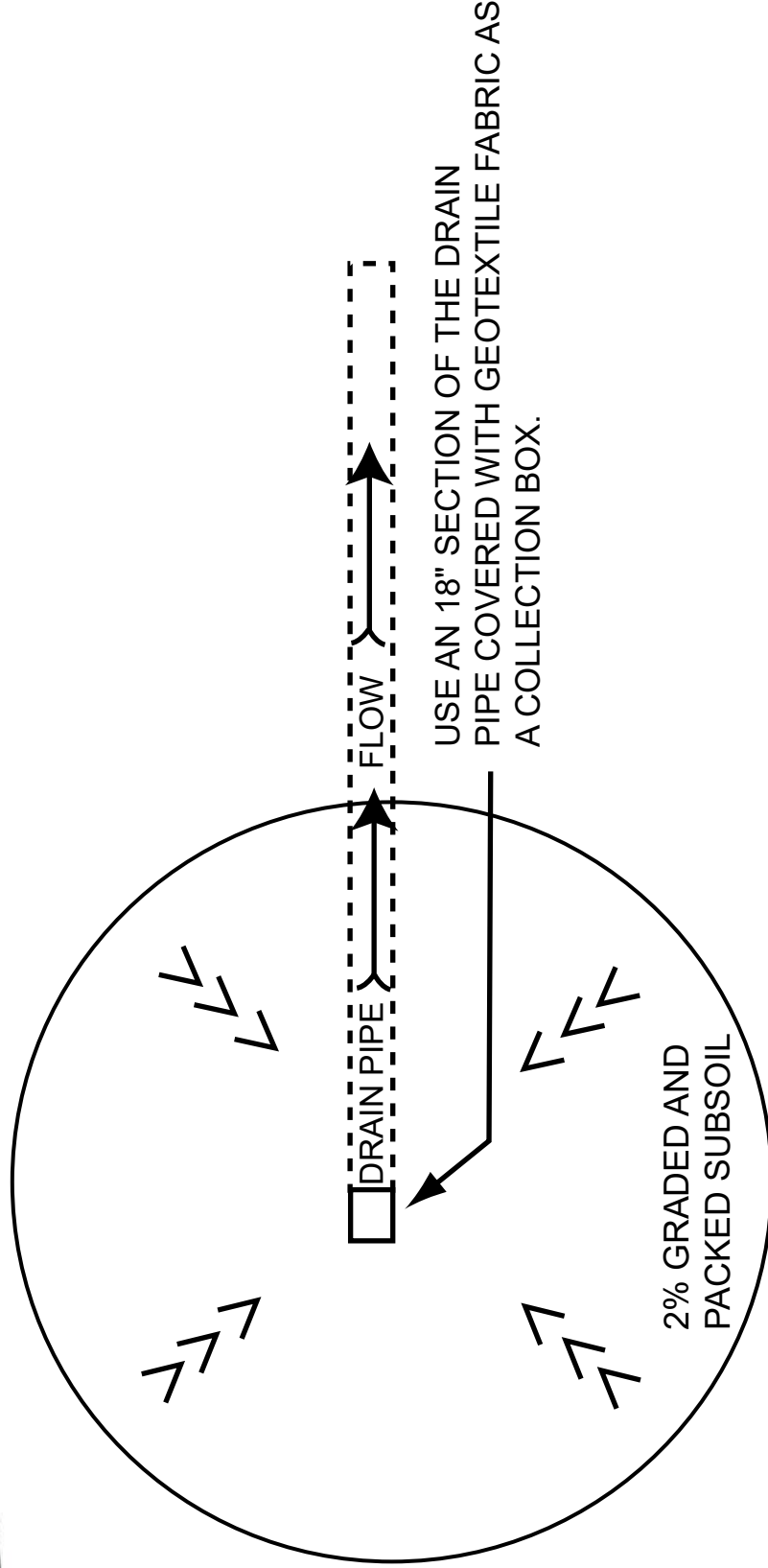


**ROUND PEN OR
LUNGING RING DRAIN FIELD
TO BE USED WITH ZEAGER JOB SPEC 24**

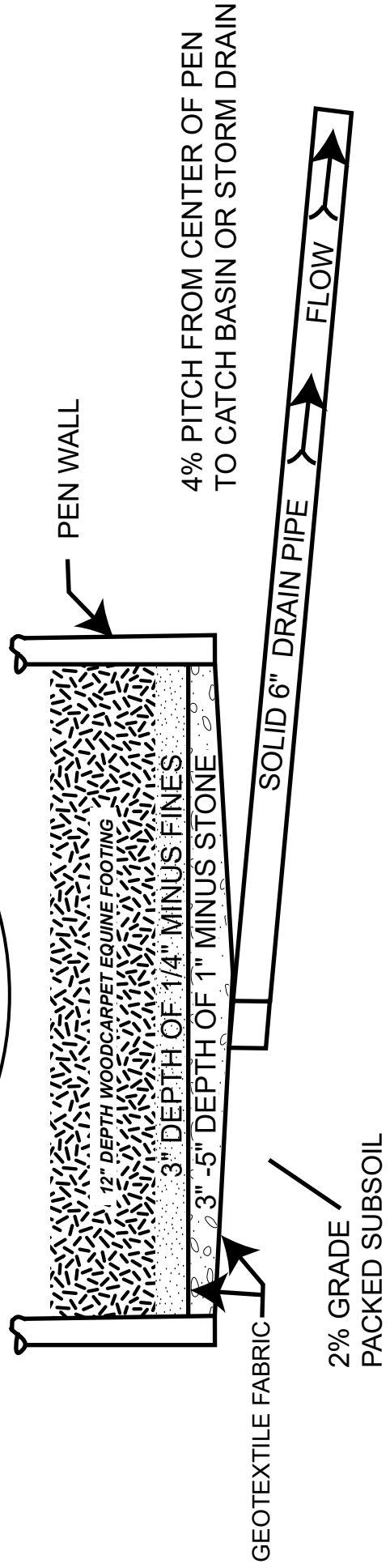
PA Office: 1-800-346-8524

WOODCARPET.COM

TOP-VIEW



SIDE-VIEW





PA Office: 1-800-346-8524

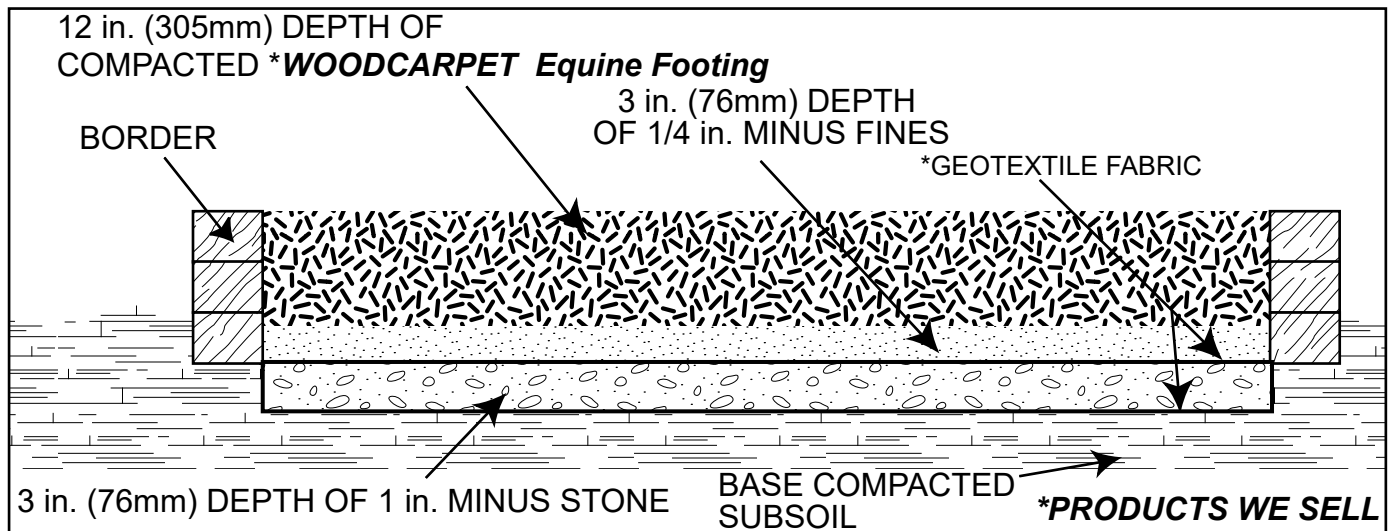
WOODCARPET.COM

ZEAGER JOB SPEC 25

APPLICATION: EXERCISER - used for regulated exercise of the horse.

PRODUCT FUNCTIONS:

1. WoodCarpet Equine Footing that when installed and maintained properly, provides a consistent, resilient and stable surface.
2. Geotextile Fabric used as a barrier to keep the subsoil and gravel from mixing together.



RECOMMENDED INSTALLATION PROCEDURE:

1. Excavate as necessary. Compact the subsoil.
2. Install a layer of geotextile fabric, overlap seam 10 in.
3. Spread 1 in. minus stone over the geotextile fabric to a depth of 3 in.
4. Install a second layer of geotextile fabric over the drainage stone, overlap seam 10 in.
5. Spread 1/4 in. minus fines to a depth of 3 in., wet down and pack using a roller or tamper.
6. Spread WoodCarpet Equine Footing to a depth of 12 in. compacted.

MISCELLANEOUS INFORMATION

1. A consistent balance of moisture is important. Drainage is necessary to remove excess moisture. The proper amount of moisture will cause WoodCarpet Equine Footing to knit together and compact. If WoodCarpet Equine Footing becomes too dry, wet it down, drag it and compact it.
2. Periodic raking or dragging & compacting will be necessary to level the WoodCarpet Equine Footing.



PA Office: 1-800-346-8524

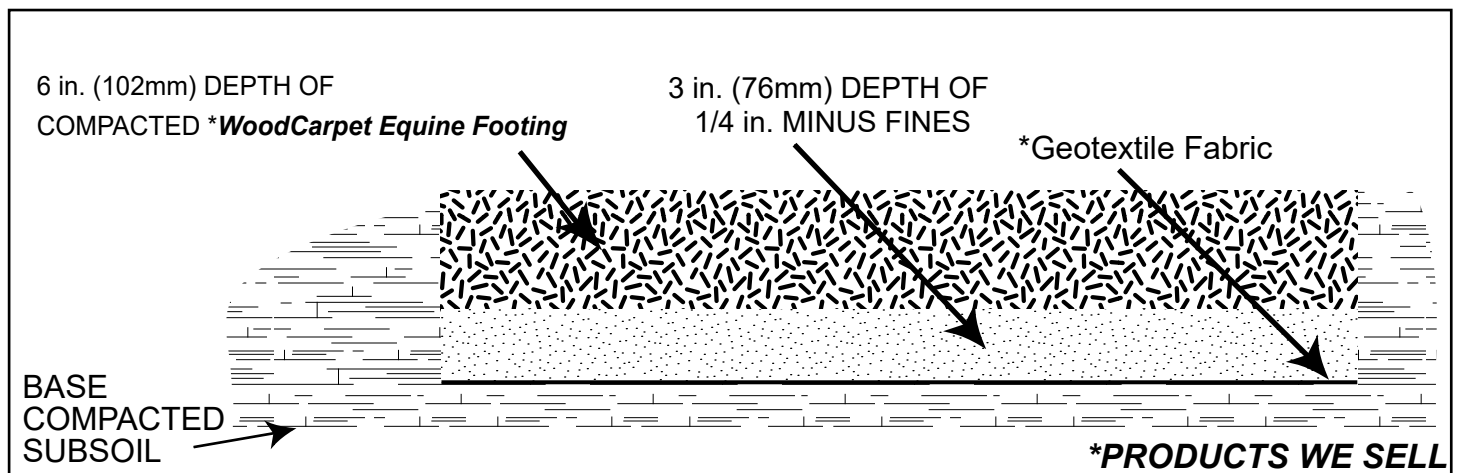
WOODCARPET.COM

ZEAGER JOB SPEC 27

APPLICATION: WALKWAYS AND PATHWAYS - used to provide a clean and resilient trail.

PRODUCT FUNCTIONS:

1. WoodCarpet Equine footing that when installed and maintained properly, provides a consistent, resilient and stable surface.
2. Geotextile Fabric used as a barrier to keep the subsoil and gravel from mixing together.



RECOMMENDED INSTALLATION PROCEDURE:

1. Excavate as necessary. Compact the subsoil.
2. Install a layer of geotextile fabric, overlap seam 10 in.
3. Spread 1/4 in. minus fines to a depth of 3 in., wet down and pack using a roller or tamper.
4. Spread WoodCarpet Equine Footing to a depth of 6 in. compacted.

MISCELLANEOUS INFORMATION

1. A consistent balance of moisture is important. Drainage is necessary to remove excess moisture. The proper amount of moisture will cause WoodCarpet Equine Footing to knit together and compact. If WoodCarpet Equine Footing becomes too dry, wet it down, drag it and mechanically compact it.



PA Office: 1-800-346-8524

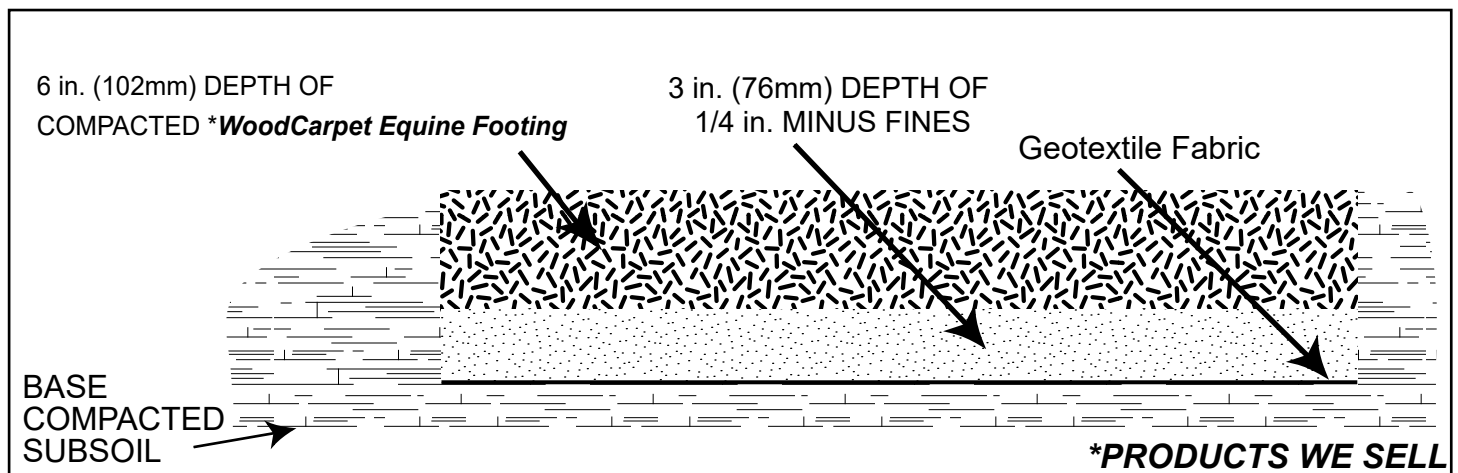
WOODCARPET.COM

ZEAGER JOB SPEC 27

APPLICATION: WALKWAYS AND PATHWAYS - used to provide a clean and resilient trail.

PRODUCT FUNCTIONS:

1. WoodCarpet Equine footing that when installed and maintained properly, provides a consistent, resilient and stable surface.
2. Geotextile Fabric used as a barrier to keep the subsoil and gravel from mixing together.



RECOMMENDED INSTALLATION PROCEDURE:

1. Excavate as necessary. Compact the subsoil.
2. Install a layer of geotextile fabric, overlap seam 10 in.
3. Spread 1/4 in. minus fines to a depth of 3 in., wet down and pack using a roller or tamper.
4. Spread WoodCarpet Equine Footing to a depth of 6 in. compacted.

MISCELLANEOUS INFORMATION

1. A consistent balance of moisture is important. Drainage is necessary to remove excess moisture. The proper amount of moisture will cause WoodCarpet Equine Footing to knit together and compact. If WoodCarpet Equine Footing becomes too dry, wet it down, drag it and mechanically compact it.

EQUINE FOOTING SPECIFICATIONS

Notes:

1. Inadequate drainage may hasten decomposition and decrease impact absorption.
2. If not installing using mechanical compactors and wetting procedure described in the previous installation section the surface will require as much as 15% less WoodCarpet Equine Footing.
3. Periodic maintenance should include removing debris, leveling and topping off and compacting to maintain desired thickness.

Products:

1. WoodCarpet Equine Footing:

- a. Composition: WoodCarpet Equine Footing contains 100% pre-consumer recovered wood and does not contain the following species: Cherry, Black Walnut or Yew.
- b. Dimensions: Randomly sized wood fibers with approximate max length of 2".
- c. Coefficient of Permeability, ASTM D 2434: Greater than 0.6 cm/s.
- d. Sieve analysis, tramp metals & hazardous metals detection per ASTM F2075– meets criteria.
- f. Resistance to flammability, ASTM D2859 Standard Test Method for Ignition Characteristics of Finished Textile Floor Covering Materials - meets criteria

2. Geotextile Fabric:

- a. Composition: nonwoven filter fabric of staple fibers that is formed into a random network, needle punched and heat-set for dimensional stability.
- b. Size: 5' x 300' roll.
- c. Weight, ASTM D5261: 3.5 ounces per square yard minimum.
- d. Grab Tensile Strength, ASTM D4632: 90 lbs.
- e. Grab Tensile Elongation, ASTM D4632: 50%
- f. CBR Puncture, ASTM D6241: 250 lbs.
- g. UV Resistance, ASTM D4355: 70% @ 500 hrs.
- h. Trapezoidal Tear, ASTM D4533: 40 lbs.
- i. Permittivity, ASTM D4491: 2.00 sec⁻¹
- j. Water Flow Rate, ASTM D4491: 145 gpm/sqft
- k. Apparent Opening size, ASTM D4751: 50 US Std Sieve

MAINTENANCE RECOMMENDATIONS

Daily:

- Remove debris, litter, and foreign material such as stones, branches, etc.

Weekly/Monthly:

- Periodic leveling may be necessary. For training tracks and large areas, a piece of chain link fence with little or no weight on it can be pulled behind a tractor to quickly level the surface. Smaller areas may require raking.
- It may be necessary to periodically compact the WoodCarpet Equine Footing using a compactor or roller. Applying water may help with compaction and with reducing dust.

Seasonally:

- During a dry season it will be necessary to wet the surface of the WoodCarpet Equine Footing more frequently to keep it pliable and resilient.
- During a rainy season, check the functioning of the drainage system by checking the water flow from an effluent pipe immediately after rain. You may also check for standing water by digging through the WoodCarpet Equine Footing to the geotextile fabric. The water level should be below the geotextile fabric within 30 minutes after the rain ceases. A properly functioning drainage system will enhance the life and use of the WoodCarpet Equine Footing.
- During freezing conditions, WoodCarpet Equine Footing may lose some resiliency. Adjust use of the surfacing accordingly.

NOTES:

- WoodCarpet Equine Footing will require "topping off" occasionally, depending on the type of installation and amount of use.
- The above recommendations are based on average climate and use. In a dry or wet climate, or during heavy use, more frequent maintenance may be necessary.
- For more information, contact a Zeager representative.

CONDITIONAL LIMITED WARRANTY

WOODCARPET® EQUINE FOOTING

Zeager warrants its products to be free from defect in materials and workmanship, and to meet our published specifications when received by Zeager's customer. This warranty is valid only if the product has not been subjected to vandalism, misuse, neglect, or accident; has not been subjected to addition or substitution of material; and has not been modified or altered by persons other than Zeager or its designees in any respect which, in the judgment of Zeager, affects the condition or performance of the product. This warranty does not cover fading, weathering, discoloring, biological degradation or normal wear and tear. Should any failure to conform to this express warranty occur, Zeager shall, upon receipt of written notification of the defect, correct such nonconformity, either by supplying replacement product or by refunding the purchase price by issuing a credit to the customer's account, at Zeager's election and within 60 days of the written notification.

This shall be the purchaser's sole remedy and Zeager will not be responsible for any consequential damage attributed to the defective product. To the extent permitted by law, Zeager shall not be liable for any direct, indirect, special, incidental, or consequential damages which are expressly excluded from this warranty. If Zeager elects to supply replacement product, Zeager shall deliver the replacement product to the site free of charge but will not be responsible for providing labor or the cost of removal of the defective product and the installation of any replacement product.

This warranty is exclusive and is in lieu of all other warranties, whether express or implied, including but not limited to any warranty of merchantability or fitness for a particular purpose. Further, no representation, oral or written, of any Zeager representative may be substituted for the described exclusive limited warranty. There are no warranties that extend beyond this warranty.

To make claims under the terms of this warranty, the buyer's written statement of claim, along with a copy of the invoice, and supporting photographs and samples, must be sent to Zeager Bros., Inc., 4000 E. Harrisburg Pike, Middletown, PA. 17057. Supporting documentation must be provided to Zeager within ten (10) days of receipt of product.

1-800-346-8524
FAX 717-944-7681

Woodcarpet.com